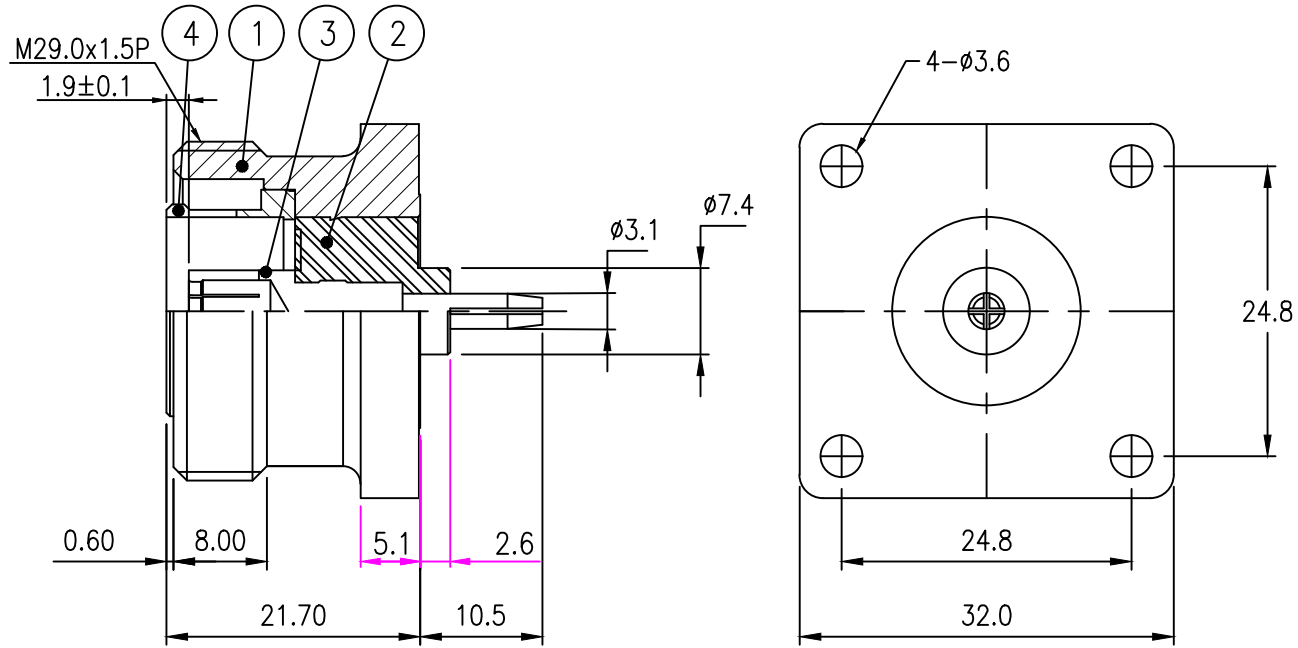


This document contains proprietary information and may not be reproduced or copied without the express written permission of RFCM.

REV	DESCRIPTION	DSG	APR	DATE



NOTE :

1. Interface : IEC 169-4
2. Material and Finish
 Center contact : Gold plated Brass
 Body : Nickel plated Brass
 Insulator : PTFE
3. Specification
 Frequency range : DC ~ 7.5GHz
 VSWR : 1.30 Max.
 Operating voltage : 2,700V Max.
 Dielectric withstanding voltage : 4,000 Vrms
 Operating Temperature : -55 ~ 155C°
 2011/65/EU (RoHS) : Compliant

UNLESS OTHERWISE SPECIFIED : ALL DIMS IN MILLIMETERS TOLERANCES ON DECIMALS 1 PLACE ±0.20 ANGLE ±1.0° 1.6σ 2 PLACE ±0.10 REMOVE BURRS. BREAK SHARP EDGES				THIRD ANGLE 	<h1>RFCM</h1>	
DRAW	DESIGN	CHECK	APPRO.	TITLE		
<i>Bqj_K9M</i>	 	<i>Bqj_K9M</i>	<i>MK_HONG</i>	7/16 JACK 4H CONNECTOR PANEL MOUNT TYPE		
2023.10.29		2023.10.29	2023.10.29	SIZE A4	DWG NO. CM-20808	REV A
Material				SEE NOTE 2.	Scale : NS	Do Not Scale Drawing
Finish				SEE NOTE 2.	1 of 1	