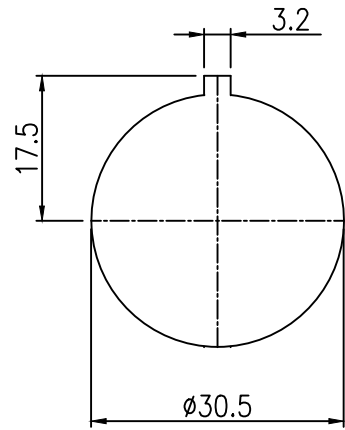


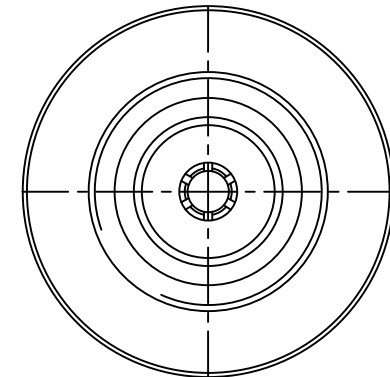
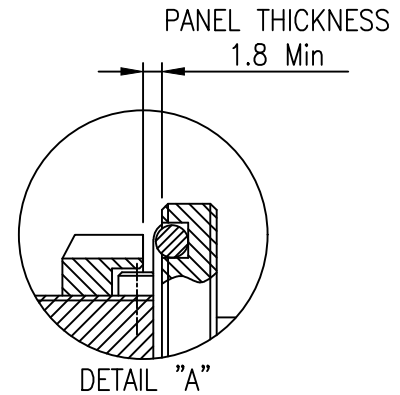
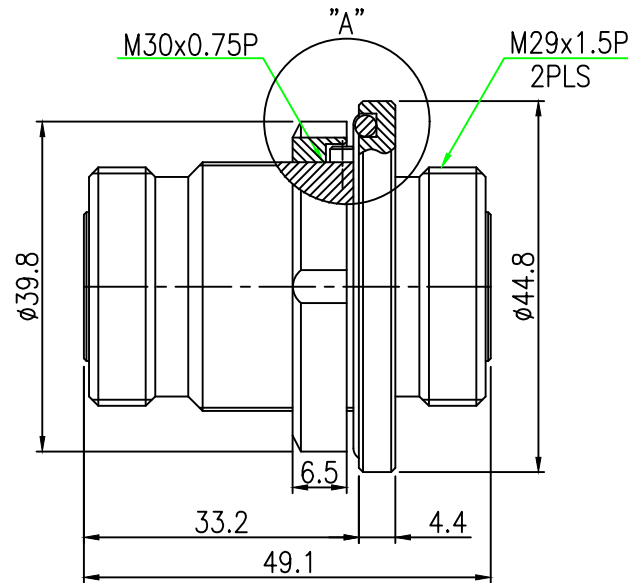
REV	DESCRIPTION	DSG	APR	DATE



RECOMMENDED MOUNT HOLE

NOTE :

- Material and Finish
 Center contact : Beryllium copper / Silver
 Body : Brass / Ternary alloy
 Insulator : PTFE
- Specification
 Frequency range : DC ~ 6Ghz
 VSWR : 1.25 : 1 Max
 PIMD 3rd : > 163dBc using 2CW tones @ 20W/tone
 Operating Temperature : -40 ~ 120C°
 2011/65/EU (RoHS) : Compliant
 Waterproof : IP67(Mated Condition)



UNLESS OTHERWISE SPECIFIED : ALL DIMS IN MILLIMETERS TOLERANCES ON DECIMALS 1 PLACE ±0.20 AGGLE ±1.0° 1.60 ✓ 2 PLACE ±0.10 REMOVE BURRS. BREAK SHARP EDGES				THIRD ANGLE 	RFCM	
DRAW <i>mk hong</i>	DESIGN 	CHECK <i>mk hong</i>	APPRO. <i>mk hong</i>	TITLE ADAPTOR 7/16 JACK - 7/16 JACK BULKHEAD(MATED CONDITION)		
2014. 5.15		2014. 5.15	2014. 5.15	SIZE A4	DWG NO. CM-10090	REV A
Material	SEE NOTE 1.			Scale : NS	Do Not Scale Drawing	1 of 1
Finish	SEE NOTE 1.					