

HN Female Connector Solder Attachment 4 Hole Flange
Mount Solder Cup Terminal, .906 inch Hole Spacing

RF Connectors
Technical Data Sheet

PE4183

Configuration

- HN Female Connector
- MIL-STD-348A
- 50 Ohms
- Straight Body Geometry
- Connector Interface Types: Solder Cup
- 4 Hole Flange

Features

- Max. Operating Frequency 2 GHz
- Gold Plated Brass Contact

Applications

- General Purpose Test
- Rack and Panel Mount Applications

Description

Pasternack's PE4183 HN female 4 hole flange mount connector with Solder Cup terminal (.906 inch hole spacing) is part of our full line of RF components available for same-day shipping. Our HN female connector operates up to a maximum frequency of 2 GHz. This HN 4 hole flange connector allows designers to create external connections on their product enclosures, and can be used in a variety of other rack mount and panel mount applications.

Our HN female 4 hole flange connector PE4183 datasheet specifications and drawing with dimensions are shown below in this PDF. Pasternack's broad catalog of RF, microwave and millimeter wave connectors allows designers to configure and customize their signal connections however they like. Whether the need is to provide an I/O for a board design, or simply create a custom cable assembly configuration, Pasternack has the right connector for the job. Pasternack can also expertly build your custom cable assemblies for you and ship same-day.

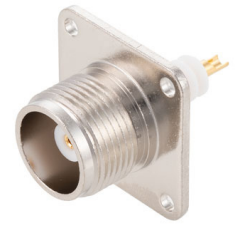
Electrical Specifications

Description	Minimum	Typical	Maximum	Units
Frequency Range	DC		2	GHz
Operating Voltage (AC)			1,900	Vrms
Insulation Resistance	5,000			MOhms

Mechanical Specifications

Size	
Length	1.55 in [39.37 mm]
Width/Dia.	1.19 in [30.23 mm]
Height	1.19 in [30.23 mm]
Weight	0.085 lbs [38.56 g]

Click the following link (or enter part number in "SEARCH" on website) to obtain additional part information including price, inventory and certifications: [HN Female Connector Solder Attachment 4 Hole Flange Mount Solder Cup Terminal, .906 inch Hole Spacing PE4183](#)



HN Female Connector Solder Attachment 4 Hole Flange
Mount Solder Cup Terminal, .906 inch Hole Spacing

RF Connectors
Technical Data Sheet

PE4183

Material Specifications

Description	Material	Plating
Contact	Brass	Gold
Insulation	PTFE	
Body	Brass	Nickel

Environmental Specifications

Temperature

Operating Range -65 to +165 deg C

Compliance Certifications (see [product page](#) for current document)

Plotted and Other Data

Notes:

HN Female Connector Solder Attachment 4 Hole Flange Mount Solder Cup Terminal, .906 inch Hole Spacing from Pasternack Enterprises has same day shipment for domestic and International orders. Our RF, microwave and millimeter wave products maintain a 99.4% availability and are part of the broadest selection in the industry.

Click the following link (or enter part number in "SEARCH" on website) to obtain additional part information including price, inventory and certifications: [HN Female Connector Solder Attachment 4 Hole Flange Mount Solder Cup Terminal, .906 inch Hole Spacing PE4183](#)

URL: <https://www.pasternack.com/hn-female-standard-solder-cup-terminal-connector-pe4183-p.aspx>

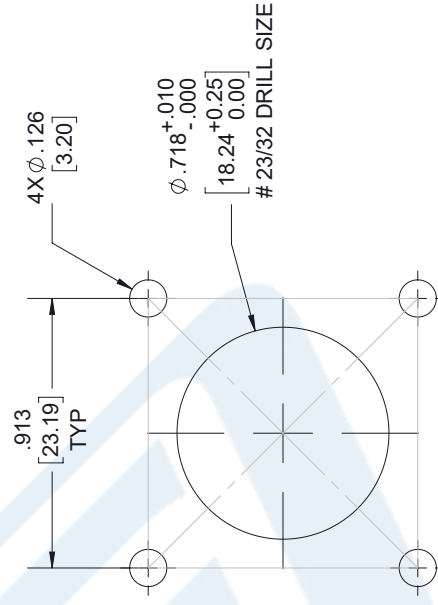
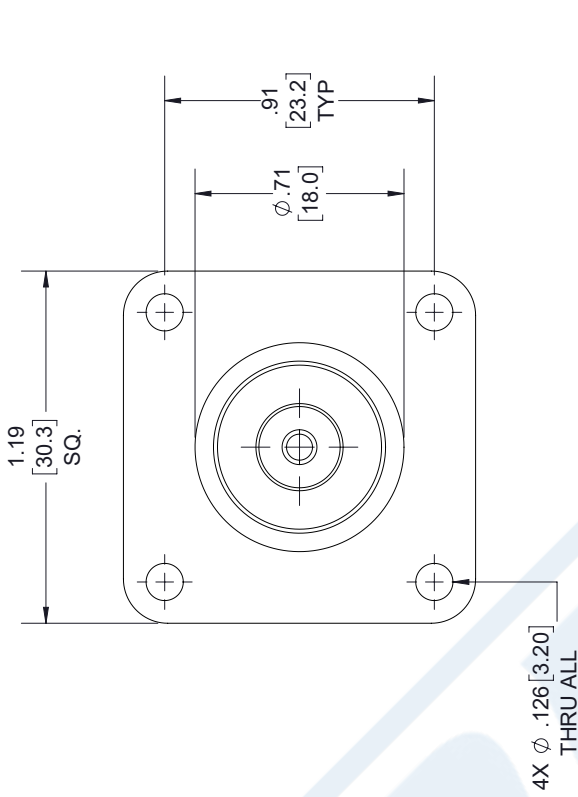
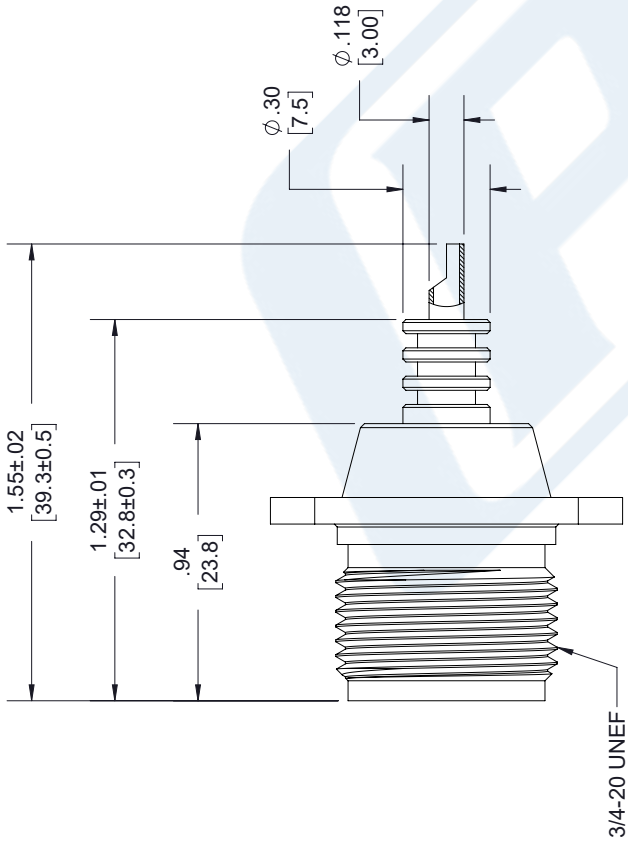
The information contained in this document is accurate to the best of our knowledge and representative of the part described herein. It may be necessary to make modifications to the part and/or the documentation of the part, in order to implement improvements. Pasternack reserves the right to make such changes as required. Unless otherwise stated, all specifications are nominal. Pasternack does not make any representation or warranty regarding the suitability of the part described herein for any particular purpose, and Pasternack does not assume any liability arising out of the use of any part or documentation.

PE4183 CAD Drawing

HN Female Connector Solder Attachment 4 Hole Flange Mount
Solder Cup Terminal, .906 inch Hole Spacing

REV.	DESCRIPTION	DATE	APPROVED
1.2	PCR PE4183 20190116	01/17/19	J.GARCIA

REVISIONS	
REV.	DESCRIPTION
1.2	PCR PE4183 20190116



MOUNTING HOLE

UNLESS OTHERWISE SPECIFIED
LEADING DIMENSIONS ARE INCHES
DIMENSIONS IN [] ARE MILLIMETERS

TOLERANCES:
X±.2 [5.08] FRACTIONS
XX±.01 [.25] ±.132
XXX±.005 [.13] ANGLES ± 1°

ALL DIMENSIONS SHOWN
ARE FOR REFERENCE ONLY.

THIRD-ANGLE PROJECTION

PE PASTERNAK
an INFINITO brand

Pasternack Enterprises, Inc.
P.O. Box 16759, Irvine, CA 92623.
Phone: 1.949.261.1920 | 1.866.727.8376
Fax: 1.949.261.7451
www.pasternack.com | e-mail: sales@pasternack.com

THE INFORMATION AND DESIGN IN THIS DOCUMENT IS THE PROPERTY OF PASTERNAK CORPORATION. ALL RIGHTS RESERVED.

SHEET 1 OF 1
SCALE N/A

SIZE	CAGE	DRAWN BY	PART NUMBER	REV
A	53919	K.Dang	PE4183	1.2

THESE COMMODITIES, TECHNOLOGY OR SOFTWARE WERE EXPORTED FROM THE UNITED STATES IN ACCORDANCE WITH THE EXPORT ADMINISTRATION REGULATIONS. DIVERSION CONTRARY TO U.S. LAW PROHIBITED.