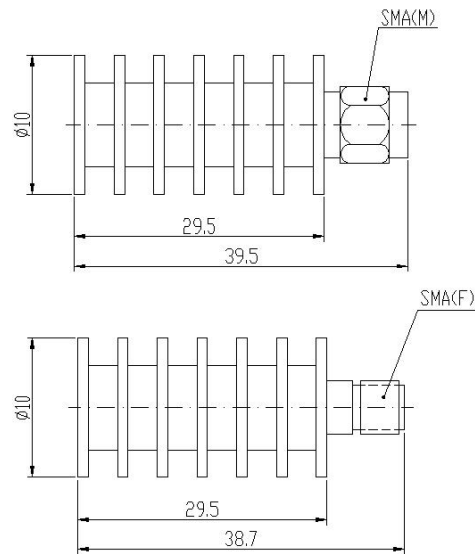


Model: SMAF10 10 Watts DC-26.5GHz



Coaxial fixed terminations absorb RF& microwave energy and are commonly used as dummy loads of antenna and transmitter. They are also used as match ports in many multiport microwave device such as circulator and directional coupler to make these ports which are not involved in the measurement be terminated in their characteristic impedance in order to ensure an accurate measurement.

SMAF10 coaxial fixed termination's average power 10W, frequency range dc-26.5GHz and feature wide frequency band, low VSWR, excellent capacity in anti-pulse and anti-burnout.

MECHANICAL SPECIFICATIONS	
Connectors	Brass Nickel Plated
Male Pin	Brass Gold Plated
Female Pin	Beryllium Copper Gold Plated
Housing	Aluminum, Black Anodize
Temp Range	-55° C ~ +125° C
Dimensions	SMA(M): Φ1 5.5×39.5mm SMA(F): Φ1 5.5×38.7mm
Weight	10g

RoHS Compliant: Yes

ELECTRICAL SPECIFICATIONS

Model Number	Frequency Range (GHz)	Max VSWR
SMAF10-3	DC-3	1.10
SMAF10-6	DC-6	1.15
SMAF10-12.4	DC-12.4	1.20
SMAF10-18	DC-18	1.25
SMAF10-26.5	DC-26.5	1.30

NOMINAL IMPEDANCE: 50Ω

AVERAGE POWER: 10W average to 25°C ambient temperature, derated linearly to 1W @ 125°C.

PEAK POWER: 0.5KW (5μs pulse width with 2% duty cycle)

CONNECTOR TYPE: SMA

Notes:

1. Dimensions Tolerance ±2%
2. Dimensions and specifications refer to connector type N unless otherwise specified.
3. Custom designs available.