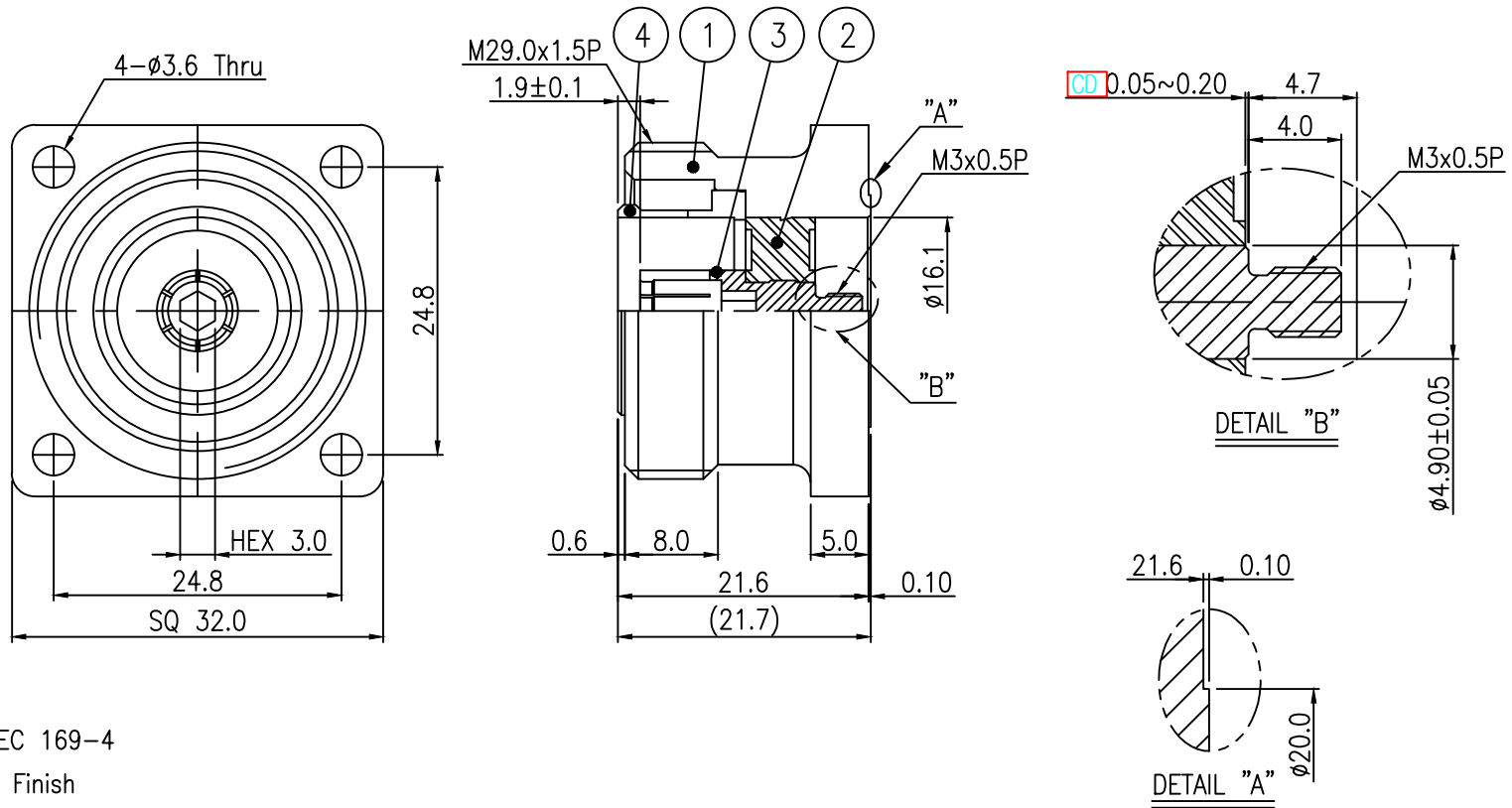


This document contains proprietary information and may not be reproduced or copied without the express written permission of RFCM.

REV	DESCRIPTION	DSG	APR	DATE



NOTE :

- Interface : IEC 169-4
- Material and Finish  
Center contact : Silver plated Brass  
Body : Nickel plated Brass  
Insulator : PTFE
- Specification  
Frequency range : DC ~ 7.5GHz  
VSWR : 1.30 Max.  
Operating voltage : 2,700V Max.  
Dielectric withstanding voltage : 4,000 Vrms  
Operating Temperature : -55 ~ 155°C  
2011/65/EU (RoHS) : Compliant

UNLESS OTHERWISE SPECIFIED : ALL DIMS IN MILLIMETERS TOLERANCES ON DECIMALS 1 PLACE ±0.20    ANGLE ±1.0°    1.60√ 2 PLACE ±0.10 REMOVE BURRS. BREAK SHARP EDGES				THIRD ANGLE	RFCM	
DRAW	DESIGN	CHECK	APPRO.	TITLE		
Bqj_K9M	<del> </del>	Bqj_K9M/MK_HONG	<del> </del>	7/16 JACK 4H CONNECTOR PANEL MOUNT TYPE		
2023.10.29		2023.10.29	2023.10.29			
Material	SEE NOTE 2.			SIZE	DWG NO.	REV
Finish	SEE NOTE 2.			A4	CM-20811	A
Scale : NS				Do Not Scale Drawing		1 of 1