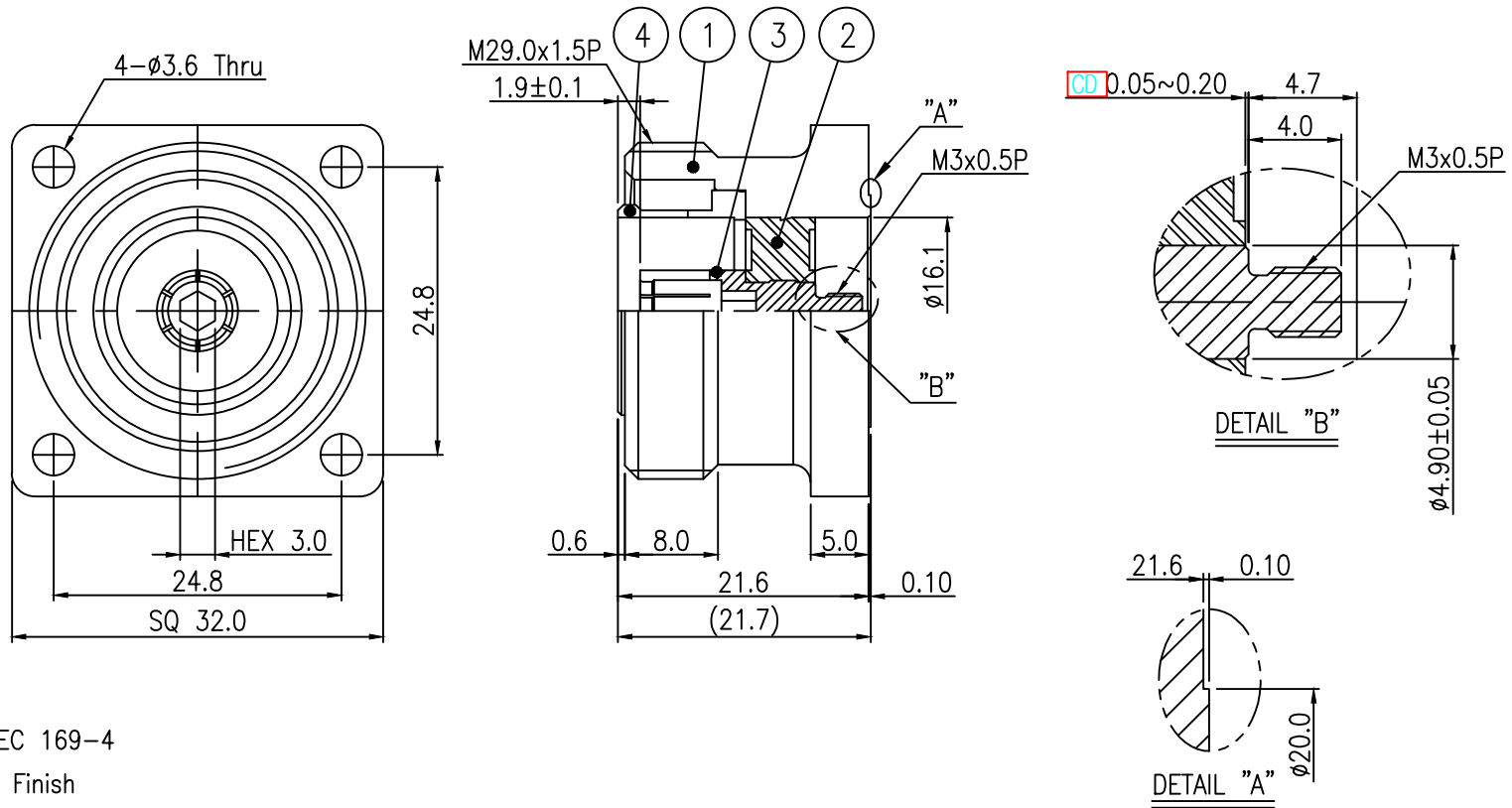


This document contains proprietary information and may not be reproduced or copied without the express written permission of RFCM.

| REV | DESCRIPTION | DSG | APR | DATE |
|-----|-------------|-----|-----|------|
| | | | | |



NOTE :

1. Interface : IEC 169-4
2. Material and Finish
 Center contact : Silver plated Brass
 Body : Nickel plated Brass
 Insulator : PTFE
3. Specification
 Frequency range : DC ~ 7.5GHz
 VSWR : 1.30 Max.
 Operating voltage : 2,700V Max.
 Dielectric withstanding voltage : 4,000 Vrms
 Operating Temperature : -55 ~ 155C°
 2011/65/EU (RoHS) : Compliant

| | | | | | |
|--|--------------------------------------|--|------------------------------------|--|---------------|
| <small>UNLESS OTHERWISE SPECIFIED : ALL DIMS IN MILLIMETERS TOLERANCES ON DECIMALS 1 PLACE ±0.20 AGGLE ±1.0° 1.6σ 2 PLACE ±0.10 REMOVE BURRS. BREAK SHARP EDGES</small> | | | | <small>THIRD ANGLE</small> | <h1>RFCM</h1> |
| <small>DRAW</small> <i>Bqj_K9M</i> | <small>DESIGN</small> | <small>CHECK</small> <i>Bqj_K9M/MK_HONG</i> | <small>APPRO.</small> | <small>TITLE</small> 7/16 JACK 4H CONNECTOR PANEL MOUNT TYPE 8 CUTTING | |
| <small>Material</small> SEE NOTE 2. | <small>Finish</small> SEE NOTE 2. | <small>SIZE</small> A4 | <small>DWG NO.</small> CM-20803 | <small>REV</small> A | |
| <small>Scale : NS</small> | | <small>Do Not Scale Drawing</small> | | <small>1 of 1</small> | |