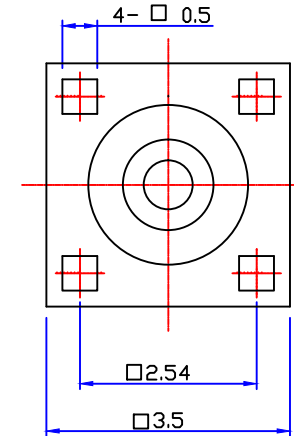
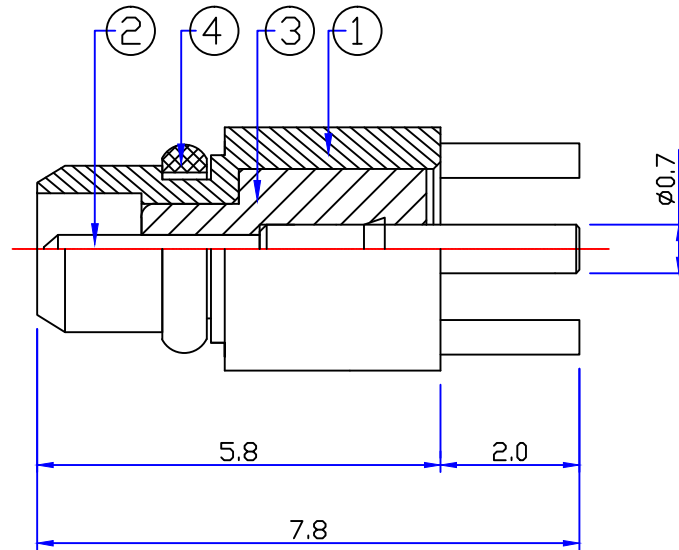
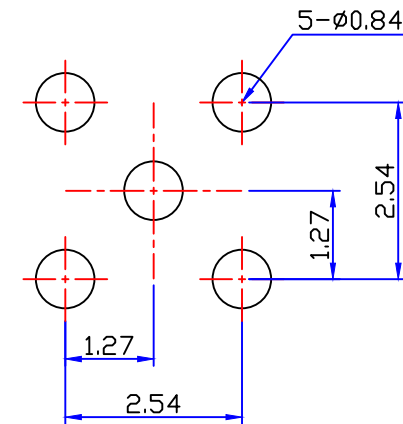


REV	DESCRIPTION	DSG	APR	DATE
△				



*PCB Mount



NOTE :

- Material and Finish
 Center contact : Brass / Gold
 Body : Brass / Gold
 Insulator : PTFE

2. Specification

Operating Temperature : -45 ~ 120C°
 2002/95/EC (RoHS) : Compliant

UNLESS OTHERWISE SPECIFIED					SCALE	MM	UNIT	1:1	TITLE			
DIMENSION	0	0.0	0.00	0.000	ANGLE	PROJ	⊕	REV	1.0	MMCX(M)S/T 4R PCB		
TOLERANCE	±0.5	±0.1	±0.03	±0.01	±0.5	DESIGN	HONG	CHECK	MIN	APPROD.	DWG NO.	
알에프시엠						KI		✓			Material	KS-D-5101 C3604BD
										2017. 3.24	Finish	SEE NOTE 1